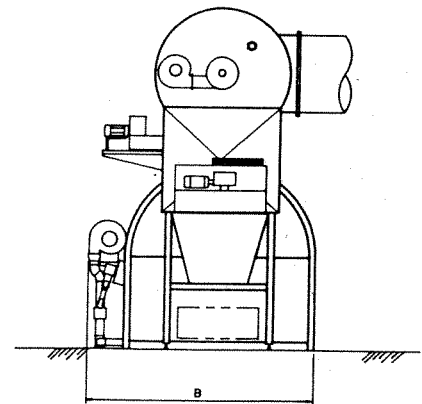
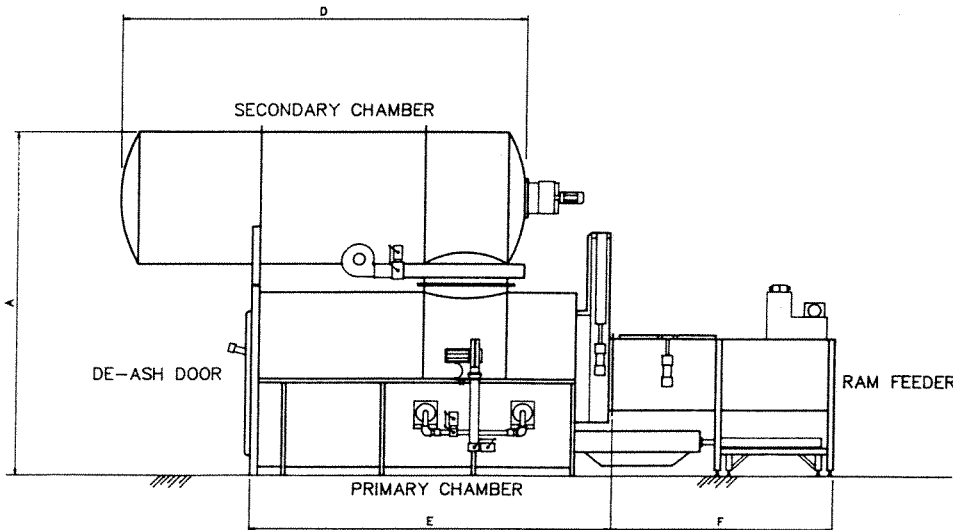
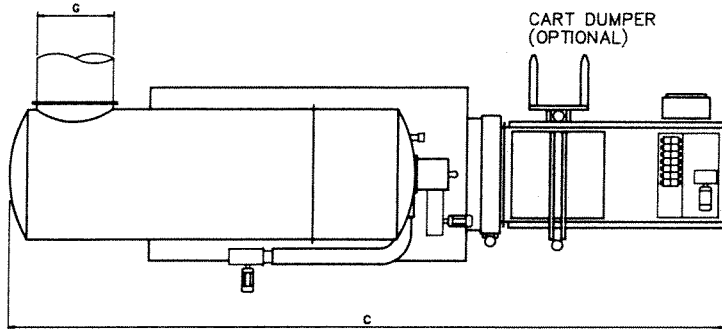


# TRECAIRE<sup>®</sup> INCINERATORS: Capacities

## 8 - HOUR OPERATION: Manual ash removal



MODEL	INCINERATION RATE (LB/HR)	RAM FEEDER (CU/YD)	DIMENSIONS (FT - INS)							WEIGHT (LBS)
			A	B	C	D	E	F	G (DIA)	
20R	200	0.5	11' - 4"	7' - 6"	18' - 4"	7' - 10"	7' - 0"	6' - 8"	24"	17800
40R	400	0.75	12' - 10"	7' - 6"	21' - 4"	10' - 5"	9' - 8"	8' - 6"	29"	20500
60R	600	1.0	14' - 4"	9' - 5"	24' - 11"	12' - 2"	10' - 1"	8' - 4"	35"	37400
80R	800	1.5	14' - 7"	9' - 5"	28' - 0"	14' - 2"	12' - 2"	9' - 6"	39"	44300

### NOTES:

1. Incineration rates are based on 8 hour operation and 6500 BTU/lb waste.
2. Dimensions and weights are shown for 1 second residence time @ 1832°F. Consult Treca for longer residence times.
3. Optional automatic dry de-ashing is available for Models 60-R and 80-R.
4. Refer to Trecaire "RC" models for continuous (24 hour) operation.
5. The above data is for guidance only and is subject to confirmation on an individual contract basis.

# TRECAN

**TRECAN COMBUSTION LIMITED**

6685 Millcreek Drive, #6, Mississauga, Ontario, Canada L5N 5M5  
Telephone: (416) 826-8631 • Telefax: (416) 826-8696