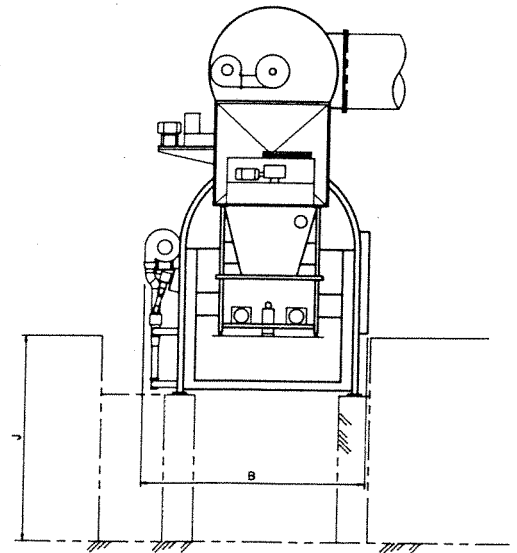
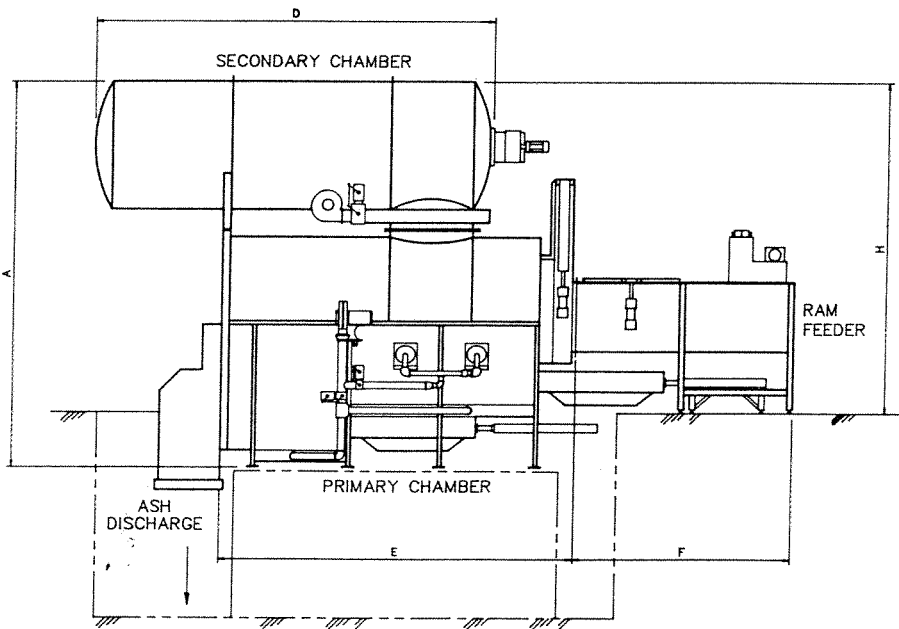
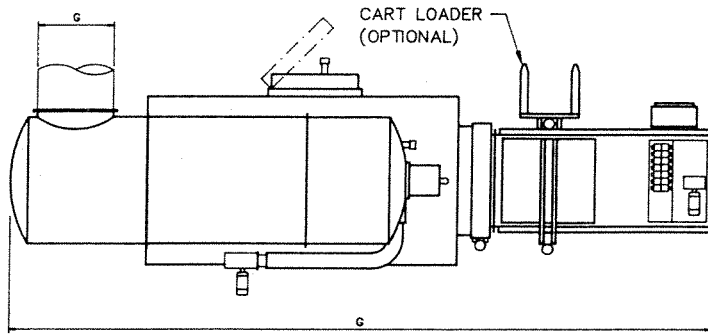


CONTINUOUS OPERATION: Automatic ash removal

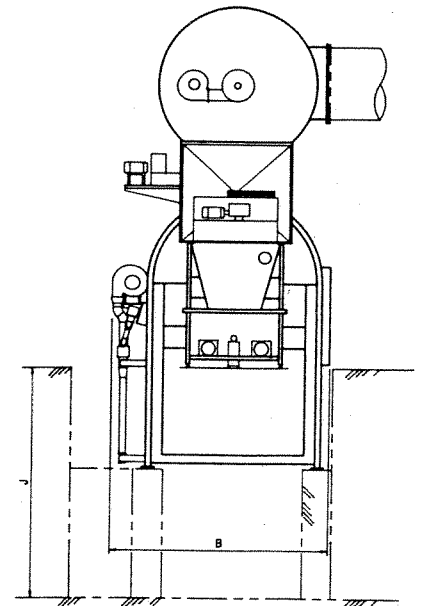
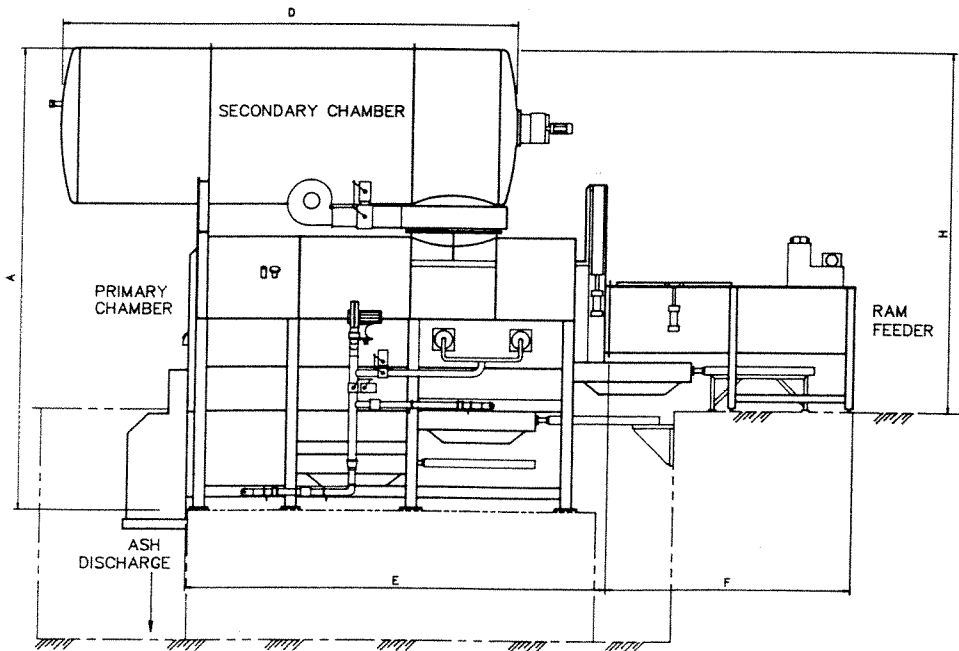
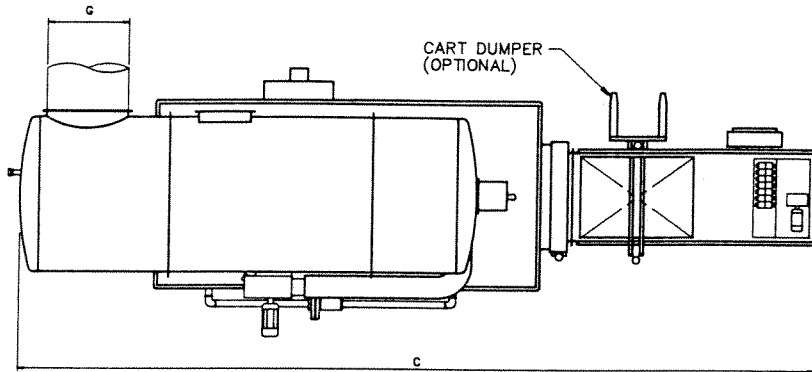


MODEL	INCINERATION RATE (LB/HR)	RAM FEEDER (CU/YD)	DIMENSIONS (FT - INS)									WEIGHT (LBS)
			A	B	C	D	E	F	G (DIA)	H	J	
55RC	550	1.0	16' - 9"	9' - 5"	27' - 9"	12' - 1"	12' - 6"	8' - 4"	35"	14' - 0"	9' - 0"	38000
75RC	750	1.5	17' - 0"	9' - 5"	30' - 10"	14' - 1"	15' - 0"	9' - 6"	39"	14' - 6"	9' - 0"	44500

NOTES:

1. Incineration rates are based on 24 hour operation and 6500 BTU/lb waste.
2. Dimensions and weights are shown for 1 second residence time @ 1832°F. Consult Trecon for longer residence times.
3. Automatic on-line de-ashing may be "wet" or "dry" type. Consult Trecon for details of these options.
4. The above data is for guidance only and is subject to confirmation on an individual contract basis.

CONTINUOUS OPERATION: Automatic ash removal

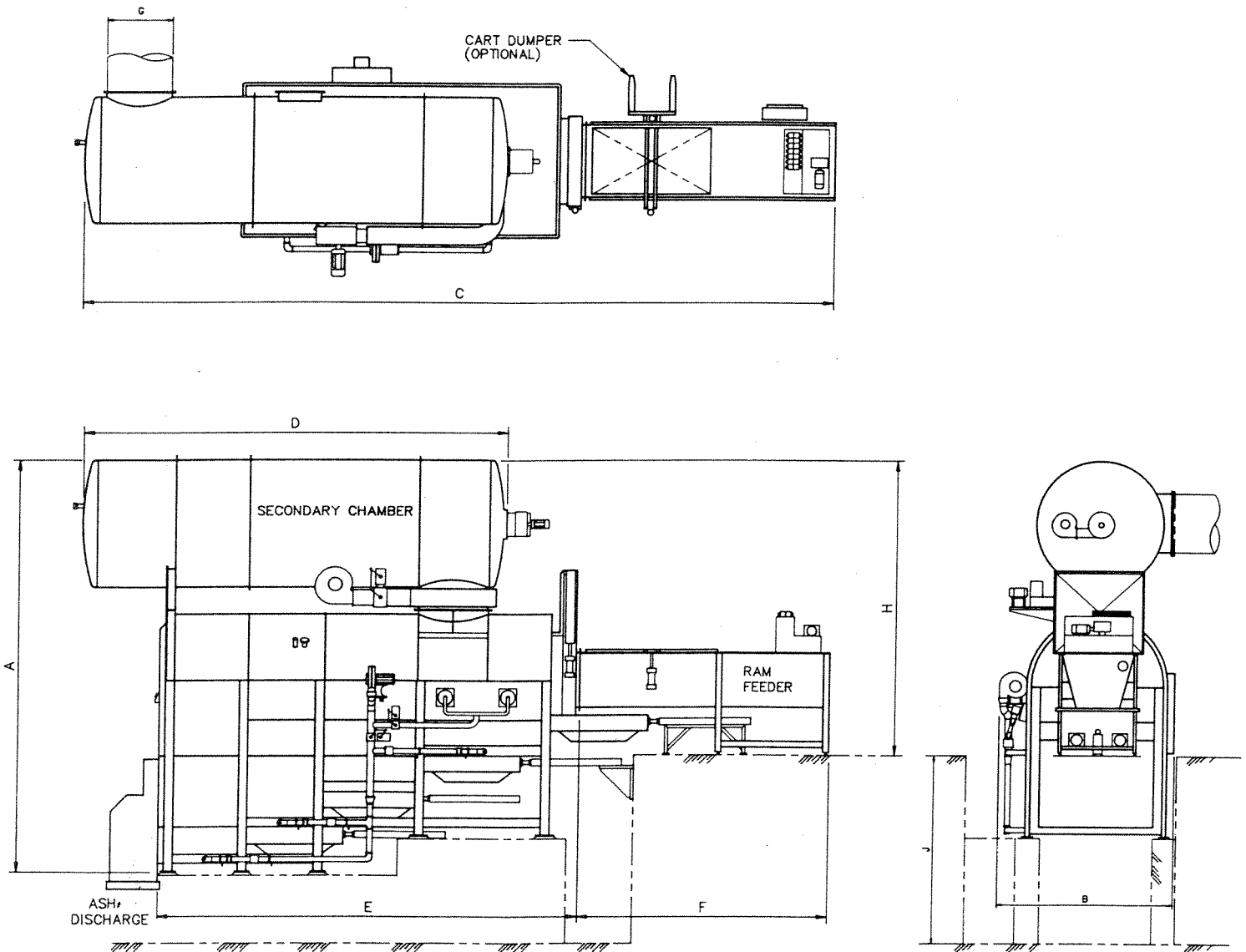


MODEL	INCINERATION RATE (LB/HR)	RAM FEEDER (CU/YD)	DIMENSIONS (FT - INS)									WEIGHT (LBS)
			A	B	C	D	E	F	G (DIA)	H	J	
100RC	1000	2	21' - 1"	10' - 2"	28' - 2"	15' - 2"	18' - 10"	9' - 6"	3' - 9"	16' - 5"	10' - 6"	80000
125RC	1250	2	23' - 1"	11' - 2"	32' - 0"	16' - 6"	19' - 10"	11' - 2"	3' - 9"	16' - 8"	12' - 6"	935000
150RC	1500	2	23' - 1"	11' - 2"	33' - 3"	17' - 9"	22' - 10"	11' - 2"	3' - 9"	17' - 0"	12' - 6"	108000

NOTES:

1. Incineration rates are based on 24 hour operation and 6500 BTU/lb waste.
2. Dimensions and weights are shown for 1 second residence time @ 1832°F. Consult Trecon for longer residence times.
3. Automatic on-line "wet" de-ashing recommended - consult Trecon for details.
4. The above data is for guidance only and is subject to confirmation on an individual contract basis.

CONTINUOUS OPERATION: Automatic ash removal



MODEL	INCINERATION RATE (LB/HR)	RAM FEEDER (CU/YD)	DIMENSIONS (FT - INS)									WEIGHT (LBS)
			A	B	C	D	E	F	G (DIA)	H	J	
185RC	1850	3	23' - 4"	11' - 2"	39' - 11"	20' - 8"	29' - 11"	13' - 8"	3' - 9"	17' - 3"	14' - 6"	150000
220RC	2200	3	25' - 7"	11' - 8"	41' - 10"	22' - 5"	32' - 11"	13' - 8"	3' - 9"	17' - 6"	14' - 6"	160000

NOTES:

1. Incineration rates are based on 24 hour operation and 6500 BTU/lb waste.
2. Dimensions and weights are shown for 1 second residence time @ 1832°F. Consult Trecon for longer residence times.
3. Automatic on-line "wet" de-ashing recommended - consult Trecon for details.
4. The above data is for guidance only and is subject to confirmation on an individual contract basis.