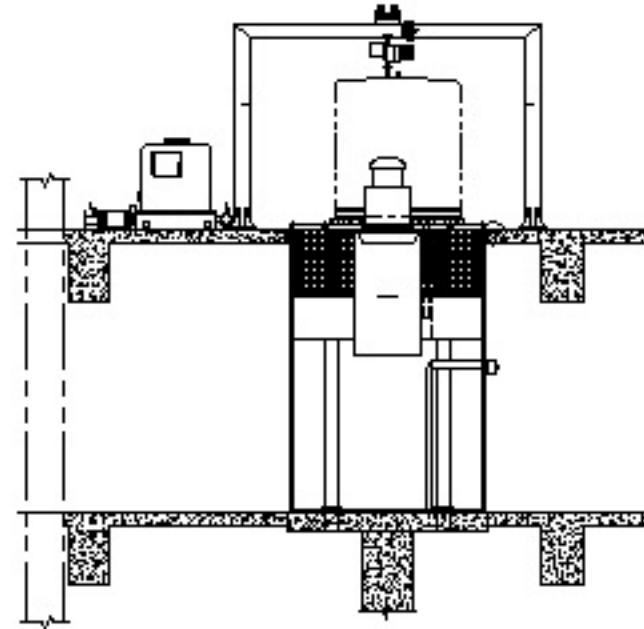
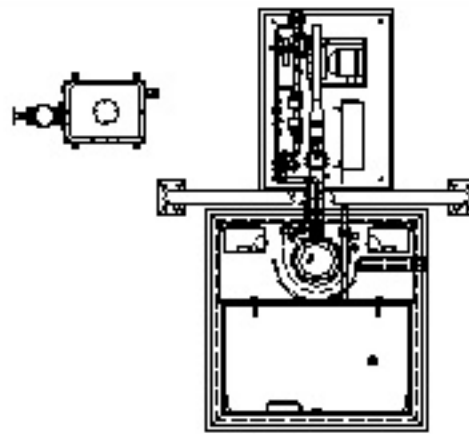
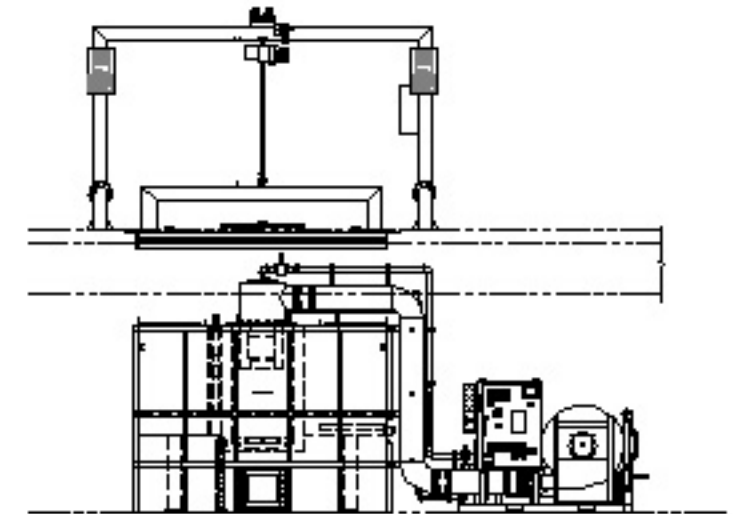
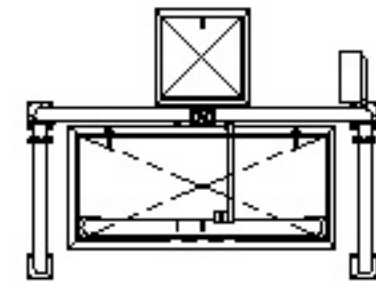


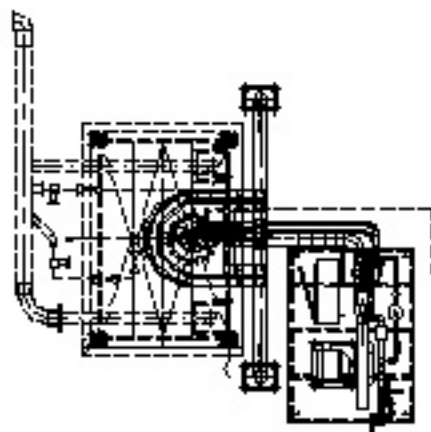
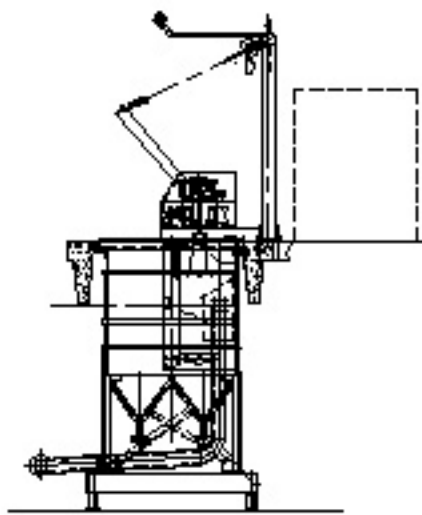
TOP DECK - PARKING STRUCTURE



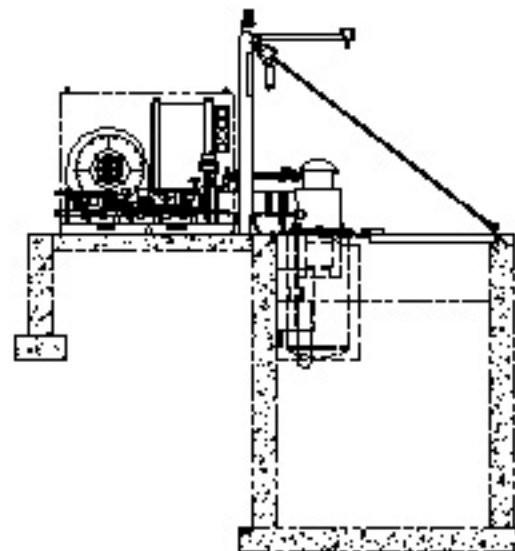
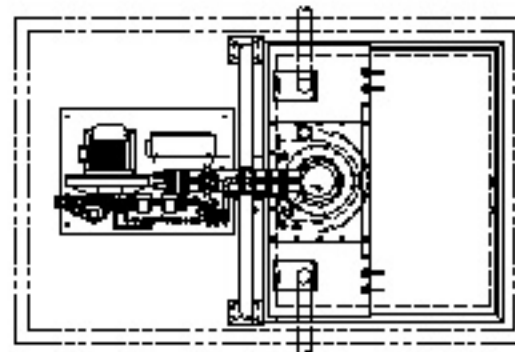
TOP DECK - PARKING STRUCTURE WITH
GAS COMPRESSOR



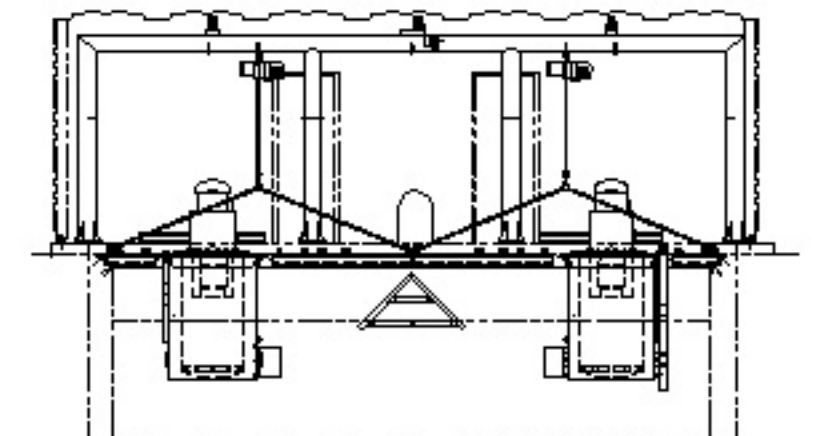
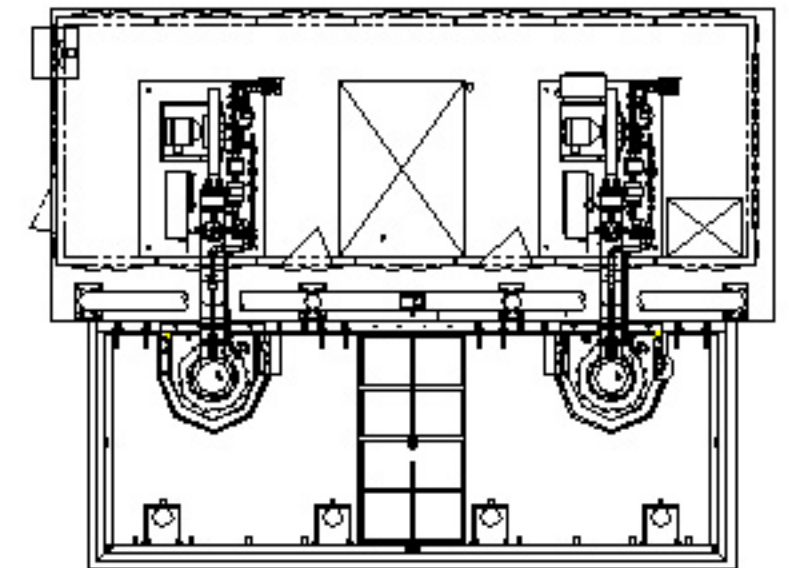
PRE- CAST DOUBLE- TEE PARKING STRUCTURE



PARKING STRUCTURE (STEEL FRAME)



IN GROUND SINGLE BURNER



IN GROUND TWO BURNERS

